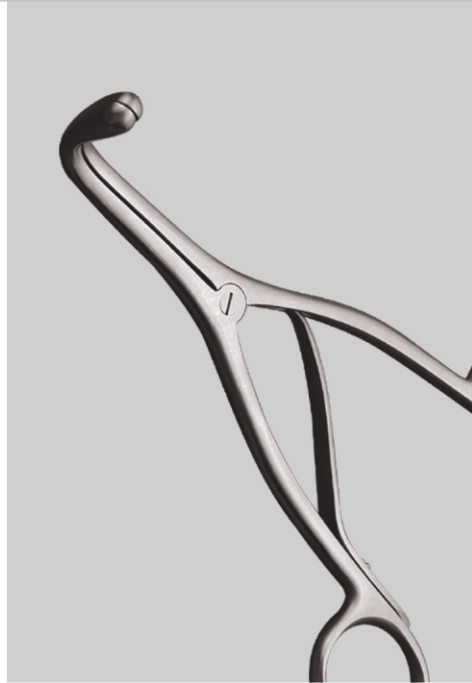


TRACHEOTOMY

32



PAGE 001 to 010



EN Tracheotomy

DE Tracheotomie

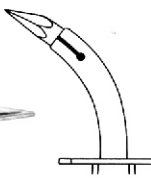
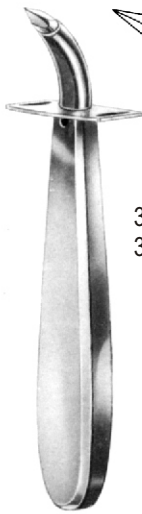
ES Traqueotomía

SERVING HEALTHCARE WORLDWIDE

www.hilbro.net

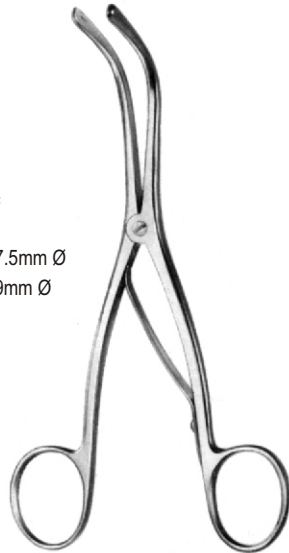


TRACHEOTOMY



32.0010.07 7.5mm Ø
 32.0010.09 9mm Ø

UCKERMANN
 13.0cm



TROUSSEAU
 32.0020.12 12.0cm
 32.0020.14 14.0cm



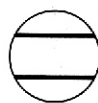
LABORDE
 32.0022.14 14.0cm



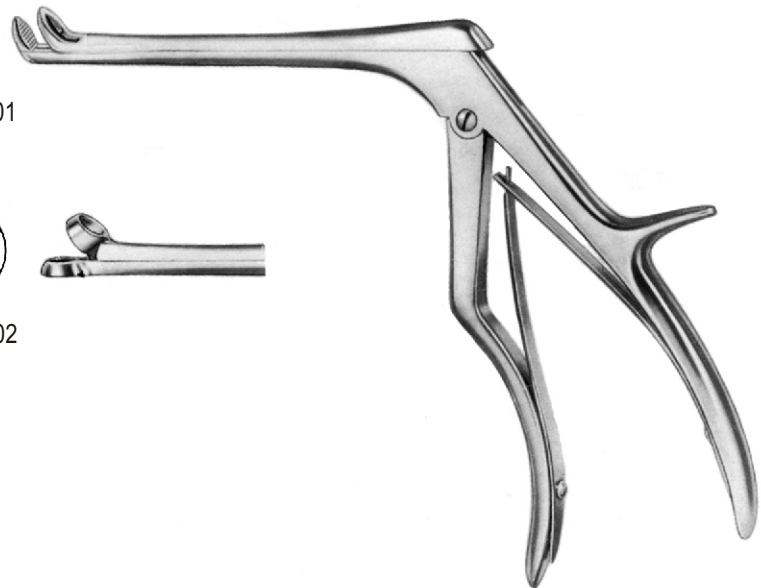
WEERDA
 32.0026.19 19.0cm



32.0040.01



32.0040.02



32.0040.01 - 32.0040.02



BOSE
 32.0030.07 7.0cm

32.0040.02

32-001

www.hilbro.net

TRACHEOTOMY



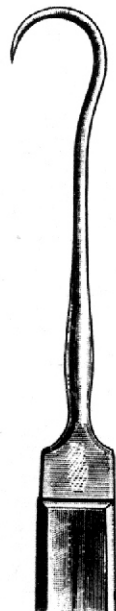
LUKENS
 32.0050.17 17.0cm



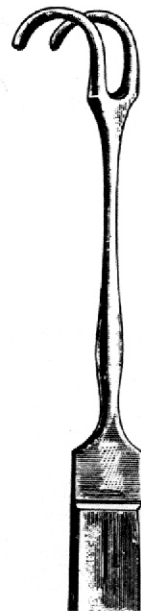
JACKSON
 32.0054.17 17.0cm



JACKSON
 sharp 32.0060.18 18.0cm
 blunt 32.0062.18



32.0070.18 sharp
 32.0072.18 blunt
 18.0cm



32.0076.18 sharp
 32.0078.18 blunt
 18.0cm



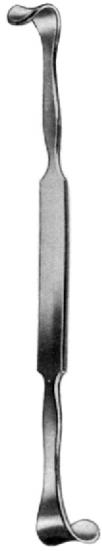
SCHOENBORN
 32.0080.21 21.0cm

32.0080.21

32-002

www.hilbro.net

TRACHEOTOMY



ROSE
32.0090.13 13.0cm



LUER
32.0094.11 11.0cm



JACKSON
32.0100.15 15.0cm



32.0106.15 15.0cm



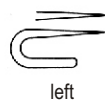
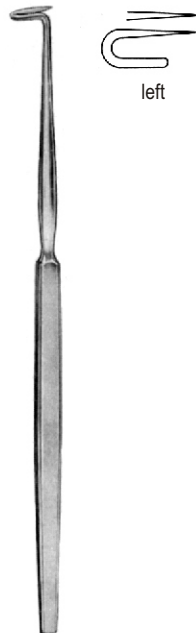
ITERSON
16.0cm



32.0110.16



32.0112.16



left

BOSE
32.0120.16 16.0cm



right

BOSE
32.0122.16 16.0cm

32.0122.16

32-003

www.hilbro.net

TRACHEOTOMY

International scale

Fig.	0	1	2	3	4	5	6	7	8	9
Diameter	④	⑤	⑥	⑦	⑧	⑨	⑩	⑪	⑫	⑬mm
Length of outer tube N	45	50	55	60	65	70	75	80	85	90mm



LUER

Fig	mmØ	45-90mm	95mm	105mm
0	4	32.0130.04		
1	5	32.0130.05		
2	6	32.0130.06		
3	7	32.0130.07		
4	8	32.0130.08	32.0132.08	32.0134.08
5	9	32.0130.09	32.0132.09	32.0134.09
6	10	32.0130.10	32.0132.10	32.0134.10
7	11	32.0130.11	32.0132.11	32.0134.11
8	12	32.0130.12	32.0132.12	32.0134.12
9	13	32.0130.13	32.0132.13	32.0134.13



CHEVALIER-JACKSON

Fig	mmØ	45-90mm
0	4	32.0140.04
1	5	32.0140.05
2	6	32.0140.06
3	7	32.0140.07
4	8	32.0140.08
5	9	32.0140.09
6	10	32.0140.10
7	11	32.0140.11
8	12	32.0140.12
9	13	32.0140.13

32.0140.13

32-004

www.hilbro.net

TRACHEOTOMY

**KRISHABER**

Fig	mm	
0	4	32.0150.04
1	5	32.0150.05
2	6	32.0150.06
3	7	32.0150.07
4	8	32.0150.08
5	9	32.0150.09
6	10	32.0150.10
7	11	32.0150.11
8	12	32.0150.12

**KRISHABER-LUER**

Fig	mm	
0	4	32.0152.04
1	5	32.0152.05
2	6	32.0152.06
3	7	32.0152.07
4	8	32.0152.08
5	9	32.0152.09
6	10	32.0152.10
7	11	32.0152.11
8	12	32.0152.12

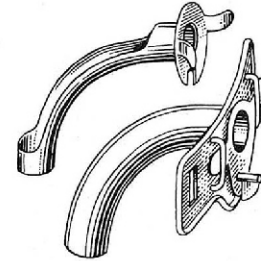
**PARKER**

Fig	F.G	
1	16	32.0160.16
2	18	32.0160.18
3	20	32.0160.20
4	22	32.0160.22
5	24	32.0160.24
6	26	32.0160.26
7	28	32.0160.28
8	30	32.0160.30
9	32	32.0160.32

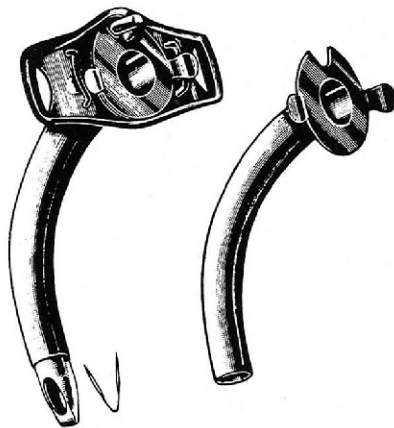
**COLLIN**

Fig	mm	
0	4	32.0170.04
1	5	32.0170.05
2	6	32.0170.06
3	7	32.0170.07
4	8	32.0170.08
5	9	32.0170.09
6	10	32.0170.10
7	11	32.0170.11
8	12	32.0170.12

**FULLER**

Fig	F.G	
1	18	32.0180.18
2	20	32.0180.20
3	22	32.0180.22
4	24	32.0180.24
5	26	32.0180.26
6	28	32.0180.28
7	30	32.0180.30
8	32	32.0180.32

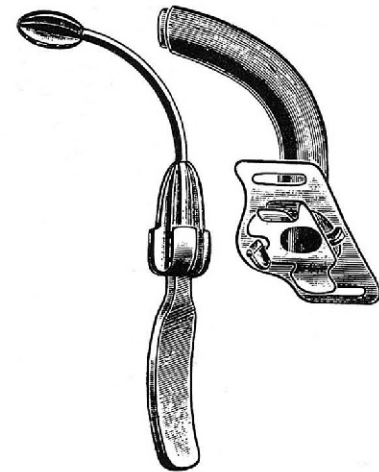
**CUBLEY**

Fig	F.G	
1	16	32.0190.16
2	18	32.0190.18
3	20	32.0190.20
4	22	32.0190.22
5	24	32.0190.24
6	26	32.0190.26
7	28	32.0190.28
8	30	32.0190.30
9	32	32.0190.32

32.0190.32

32-005

www.hilbro.net

EN Tracheal Tubes

DE Trachealkanülen

ES Cánulas traqueales



TRACHEOTOMY

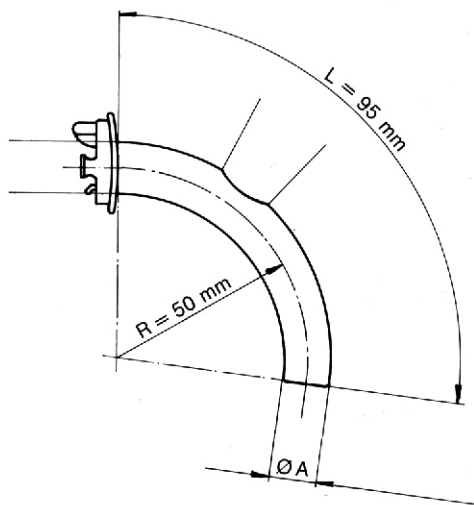
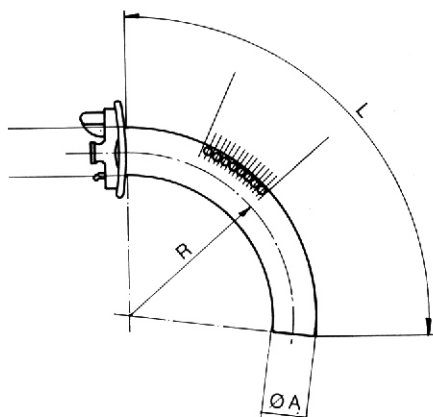


Fig		ØA	L	R
0	32.0200.08	8	65	36.5
1	32.0200.09	9	70	29
2	32.0200.10	10	75	40.5
3	32.0200.11	11	80	41.5
4	32.0200.12	12	85	43
5	32.0200.13	13	90	47.5



Fig		ØA	L	R
0	32.0210.08	8	95	50
1	32.0210.09	9	95	50
2	32.0210.10	10	95	50
3	32.0210.11	11	95	50
4	32.0210.12	12	95	50
5	32.0210.13	13	95	50

32.0210.13

32-006

www.hilbro.net

Tracheal Tubes EN

Trachealkanülen DE

Canules traqueales ES

32

TRACHEOTOMY

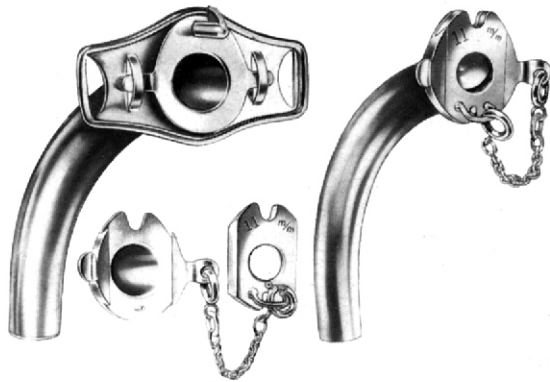
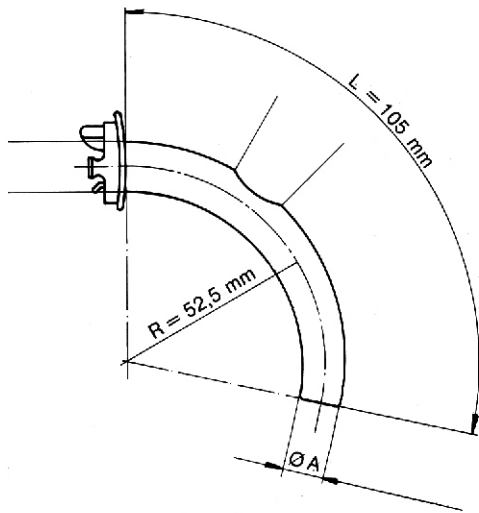
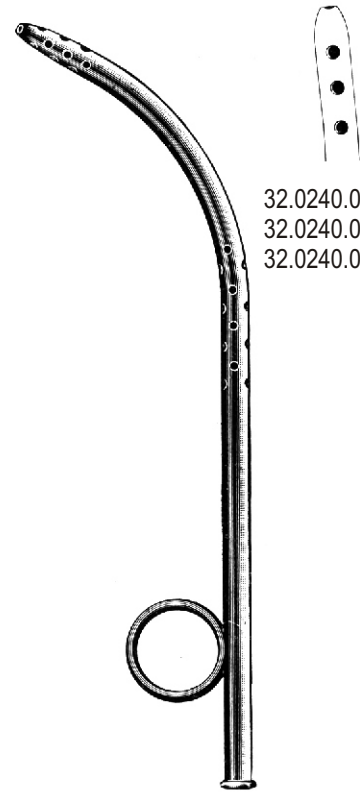


Fig		ØA	L	R
0	32.0220.08	8	105	52.5
1	32.0220.09	9	105	52.5
2	32.0220.10	10	105	52.5
3	32.0220.11	11	105	52.5
4	32.0220.12	12	105	52.5
5	32.0220.13	13	105	52.5

12mm Ø



32.0230.26 26.0cm



32.0240.05 5mm Ø
 32.0240.07 7mm Ø
 32.0240.09 9mm Ø

WAGENER-MOSHER

20.0cm

32.0240.09

32-007

www.hilbro.net

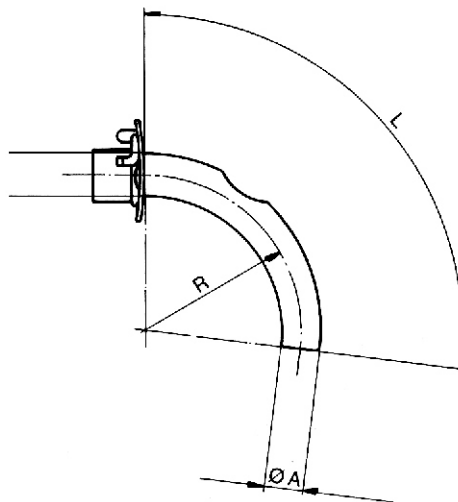
EN Tracheal Tubes

DE Trachealkanülen

ES Cánulas traqueales



TRACHEOTOMY



KOENIG

Fig	mmØ	50-80mm
1	5	32.0250.05
2	6	32.0250.06
3	7	32.0250.07
4	8	32.0250.08
5	9	32.0250.09
6	10	32.0250.10
7	11	32.0250.11

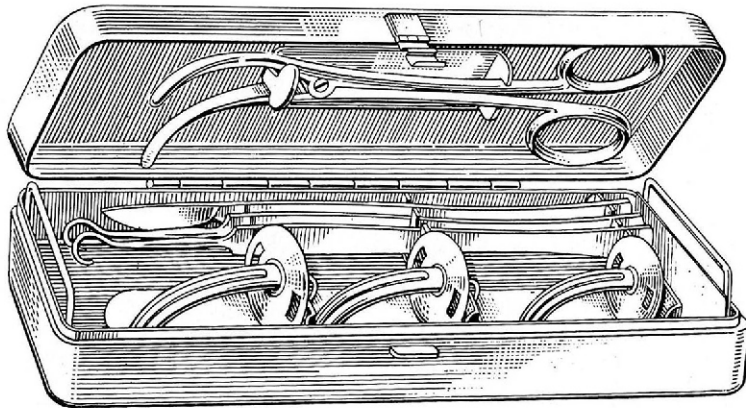
Fig		ØA	L	R
0	32.0260.08	8	65	36.5
1	32.0260.09	9	70	39
2	32.0260.10	10	75	40.5
3	32.0260.11	11	80	41.5
4	32.0260.12	12	85	43
5	32.0260.13	13	90	47.5

32.0260.13

32-008

www.hilbro.net

TRACHEOTOMY



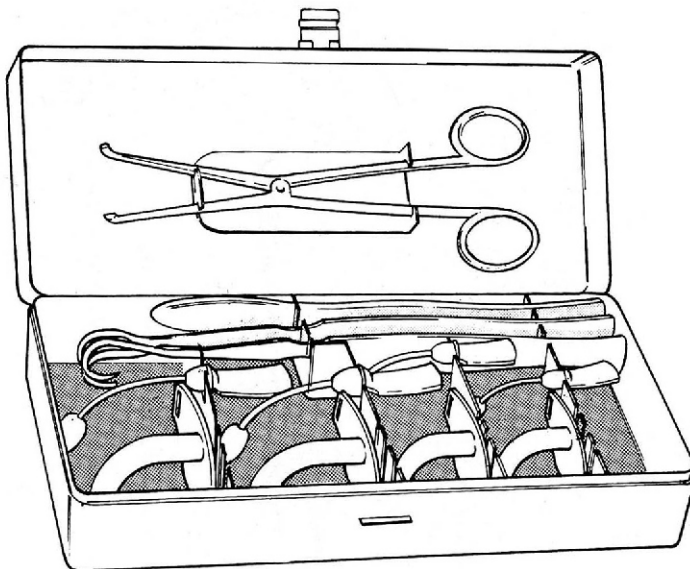
32.0270.00

TRACHEOTOMY SET

32.0270.00

complete in stainless steel case comprising:

- 32.0180.18 Fuller tracheotomy tube, 18
- 32.0180.22 Fuller tracheotomy tube, 22
- 32.0180.26 Fuller tracheotomy tube, 26
- 32.0070.18 Tracheal hook, sharp
- 32.0072.18 Tracheal hook, blunt
- 08.0010.01 Scalpel, stainless, 3cm
- 32.0020.14 Trausseau, tracheal, dilating forcep



32.0280.00

TRACHEOTOMY SET

32.0280.00

complete in stainless steel case comprising:

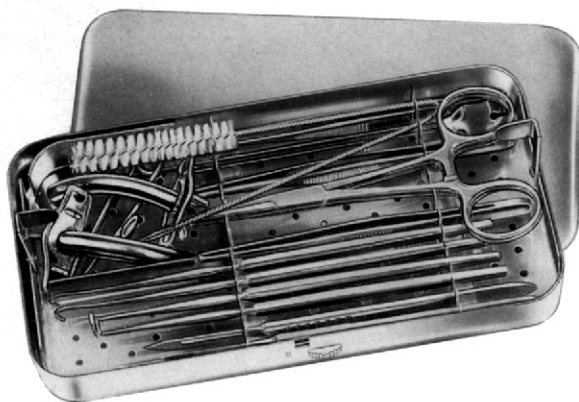
- 32.0160.18 Parker tracheotomy tube, 18
- 32.0160.22 Parker tracheotomy tube, 22
- 32.0160.24 Parker tracheotomy tube, 24
- 32.0160.26 Parker tracheotomy tube, 26
- 32.0070.18 Tracheal hook, sharp.
- 32.0078.18 Tracheal hook, double blunt.
- 08.0010.01 Scalpel, stainless, 3cm
- 32.0020.14 Trausseau, tracheal, dilating forcep

32.0280.00

32-009

www.hilbro.net

TRACHEOTOMY



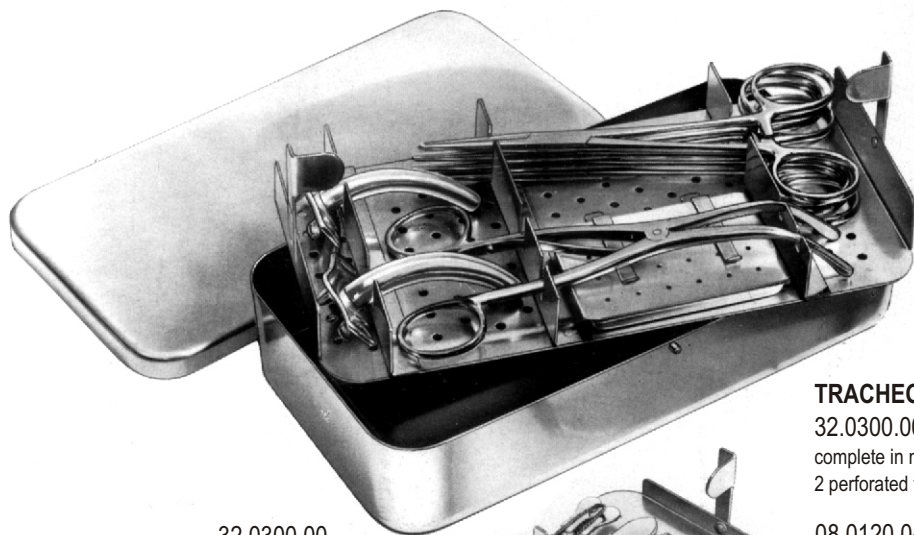
32.0290.00
 200 x 105 x 30mm

TRACHEOTOMY SET

32.0290.00

complete in metal case, consisting of:

- 08.0120.04 1 Handle with 1 blade, Fig. 20
- 08.0120.04 1 Handle with 1 blade, Fig. 23
- 12.0010.13 1 Thumb forceps, 13.0cm
- 12.0114.13 1 Tissue forcep, 13.0cm 1 x 2 teeth
- 14.0220.13 2 Pean Artery Forceps, 13.0cm
- 20.0040.14 1 Grooved Director, 14.0cm
- 32.0030.07 1 Trachea Dilator
- 32.0012.16 2 Iterson Trachea Retractors, blunt
- 32.0120.16 1 Bose Trachea Retractor, sharp left hand side
- 32.0122.16 1 ditto, right hand side
- 32.0130.07 1 Luer Trachea Tube, Standard
- 32.0130.08 1 ditto
- 32.0230.26 1 Cleaning Brush



32.0300.00
 200 x 100 x 40mm

TRACHEOTOMY SET

32.0300.00

complete in metal case 200 x 100 x 40 mm, with 2 perforated trays of 18/8 s/s containing the following instruments:

- 08.0120.04 1 Scalpel Handle No. 4, with blade No. 20
- 08.0120.04 1 Scalpel Handle No. 4, with blade No. 23
- 3 Scalpel Blades, assorted, in perforated small case.
- 1 Small case for above Scalpel Blades
- 12.0010.13 1 Dressing Forceps, serrated, 13.0cm
- 12.0114.13 2 Tissue Forceps, 1 x 2 teeth, 13.0cm
- 14.0094.14 4 Crile Artery Forceps, straight, 14.0cm
- 20.0040.14 1 Grooved Director, 14.0cm
- 32.0020.14 1 Trousseau Trachea Dilator, 14.0cm
- 32.0012.16 2 Iterson Trachea Hooks, blunt
- 32.0120.16 1 Bose Hook, sharp, left hand side, 16.0cm
- 32.0122.16 1 ditto, right hand side, 16.0cm
- 32.0130.06 1 Luer Trachea Tube, size 2.6mm diam. German Silver.
- 32.0130.08 1 ditto, size 4.8mm diam, German Silver.
- 32.0230.26 1 Cleaning Brush, 12mm diam. 26.0cm

32.0300.00

32-010

www.hilbro.net